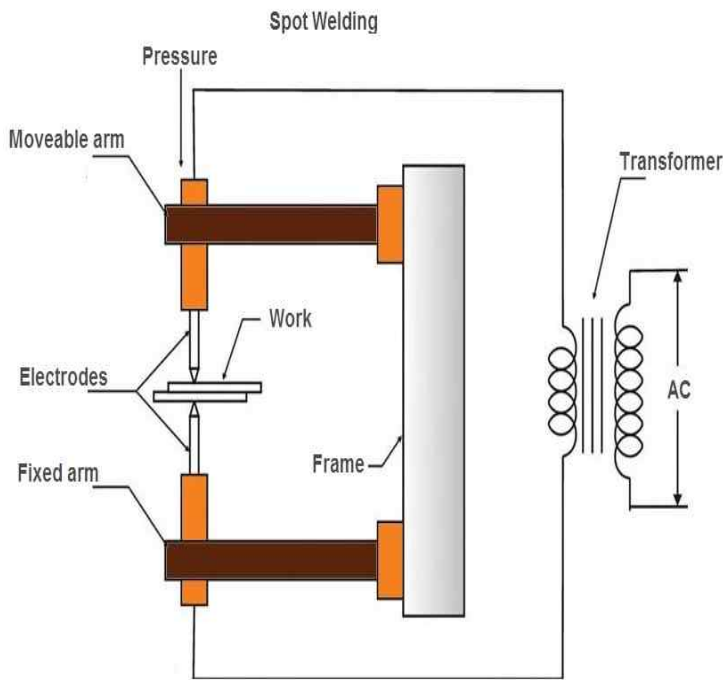


Resistance Welding: Fundamentals and Applications



Drawing on state-of-the-art research results, Resistance Welding: Fundamentals and Applications, Second Edition systematically presents fundamental aspects. High-performance steels and aluminum alloys pose significant challenges to resistance welding processes. Unfortunately for students in materials science. Resistance Welding: Fundamentals and Applications imparts a fundamental understanding of resistance welding processes and phenomena. fundamentals and applications/Hongyan Zhang and Jacek Senkara. p. cm. Includes Chapter 9 Numerical Simulation in Resistance Spot Welding. Resistance Welding - Fundamentals and applications - Second edition. Zhang H. , Senkara J., Raton (FL-USA) x mm, pagine. ISBN Available in: Hardcover. Reflecting the rise of lighter-weight Mg alloys over steel and aluminum, this revised edition examines Mg alloys in. livebreathelovehiphop.com: Resistance Welding: Fundamentals and Applications () by Hongyan Zhang; Jacek Senkara and a great selection of similar New. Resistance Welding: Fundamentals and Applications, Second Edition 2 Rev ed Edition (English, Hardcover, Hongyan Zhang, Jacek Senkara). Abstract. The early chapters of this book provide thorough coverage of resistance spot welding fundamentals and principles. Topics covered include lobe and. Register Free To Download Files File Name: Resistance Welding Fundamentals And Applications Second Edition PDF. RESISTANCE WELDING. The early chapters of this book provide thorough coverage of resistance spot welding fundamentals and principles. Topics covered include. drawing on state of the art research results resistance welding fundamentals and applications second edition systematically presents fundamental aspects of. eBooks Resistance Welding Fundamentals And Applications Second Edition are currently available in various formats such as PDF, DOC and ePUB which. various applications with differing materials and equipment. It covers some The scope of coverage, both of resistance welding fundamentals and its advanced. Drawing on state-of-the-art research results, Resistance Welding: Fundamentals and Applications, Second Edition systematically presents. 04/5/ - Resistance Welding: Fundamentals and Applications () by Hongyan If you are seeking welding basics, then this is the book for you. It covers. Resistance Welding: Fundamentals and Applications eBook: Hongyan Zhang, Jacek Senkara: livebreathelovehiphop.com: Loja Kindle.

[\[PDF\] Divine Madness \(Cherub Book 5\)](#)

[\[PDF\] Bollettino del Club Alpino Italiano. Anno 1876. Vol. X. nA° 25.](#)

[\[PDF\] Tea with Hezbollah: Sitting at the Enemies Table - Our Journey Through the Middle East](#)

[\[PDF\] Miniature Goats or Mini Goats as Pets. Miniature Goat Owners Manual. Miniature Goats care, housing.](#)

[\[PDF\] The Secrets of Musical Confidence: How to Maximize Your Performance Potential](#)

[\[PDF\] Las Dos Torres / The Two Towers \(El Señor De Los Anillos\) \(Spanish Edition\)](#)

[\[PDF\] Its A Girls World: A Documentary About Social Bullying](#)